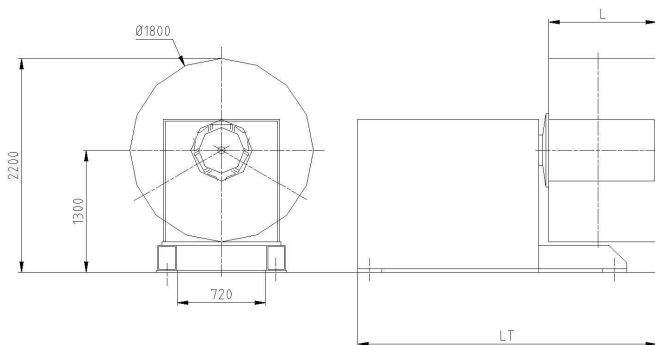


- Cast iron 3-jaw mandrel
- The mandrel is mounted on ball joint bearing units set on rollers
- Sliding block hydraulic expansion made of cast iron
- Fixed, welded base
- Hydraulic generator and distributor integrated into the base

### RANGE AND FEATURES

Model	Max. load (kg)	Max. width without lateral guide (mm)	Max. width with GLI2 (mm)	Expansion diameter (mm)	Max. outer diameter (mm)	Weight (kg)	Electrical power 400 V - 50 Hz (kVA)	
							FPS - MO	VV
<b>S 2398 G</b>	25000	1315	1115	475 to 620	1800	11000	2.5	30
<b>S 2398 H</b>	25000	1535	1330	475 to 620	1800	12000	2.5	30
<b>S 2398 J</b>	25000	1760	1560	475 to 620	1800	12500	2.5	30
<b>S 2398 K</b>	25000	1980	1780	475 to 620	1800	13000	2.5	30
<b>S 2398 L</b>	25000	2200	2000	475 to 620	1800	14000	2.5	30

### DIMENSIONS



Model	L	LT
<b>S 2398 G</b>	1315	3752
<b>S 2398 H</b>	1535	3972
<b>S 2398 J</b>	1760	4197
<b>S 2398 K</b>	1980	4417
<b>S 2398 L</b>	2200	4637